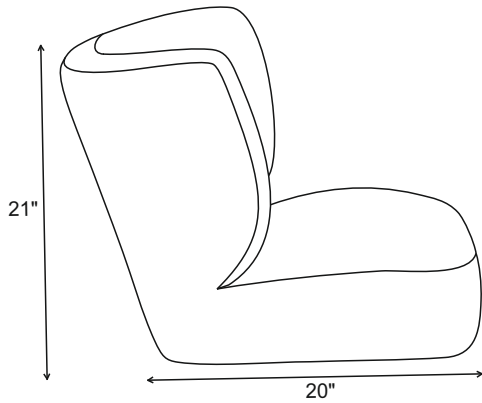
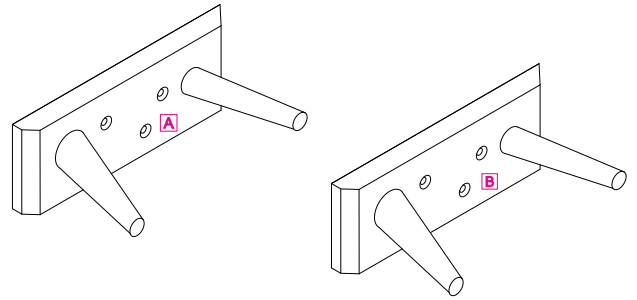


# ASSEMBLY INSTRUCTION

## PART OF PRODUCT

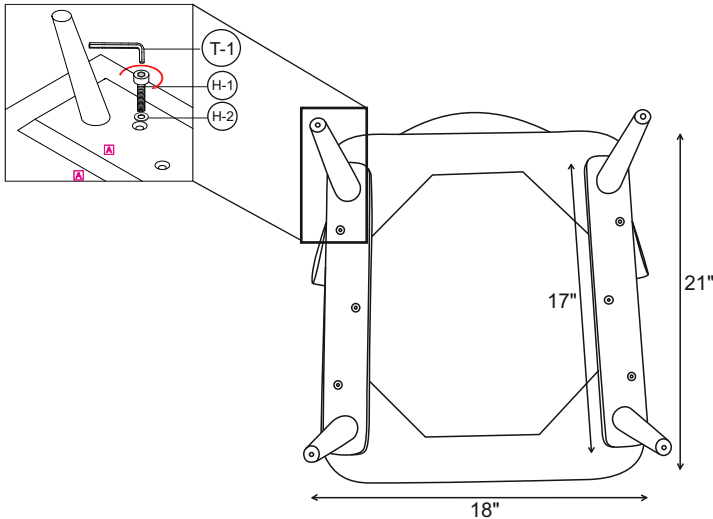


**SEAT - 1 PC.**



**WOOD LEGS - 2 PCS.**

## SIDE VIEW



**BOTTOM VIEW**

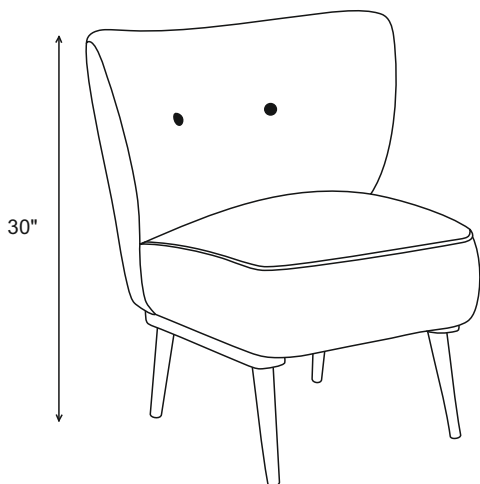
## HARDWARE

CODE	DESCRIPTION	QTY
<b>H-1</b>	BOLT	6 PCS
<b>H-2</b>	FLAT WASHER	6 PCS

## TOOL

CODE	DESCRIPTION	QTY
<b>T-1</b>	ALLEN KEY	1 PC

## ASSEMBLED PRODUCT

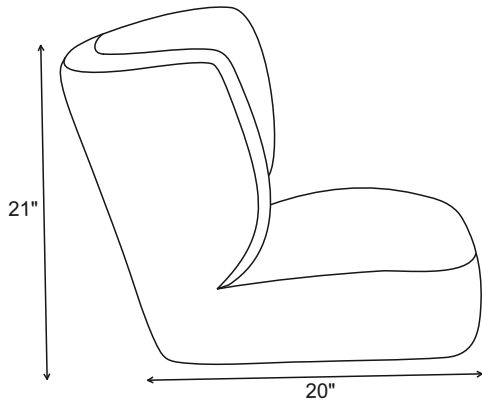


**FRONT VIEW**

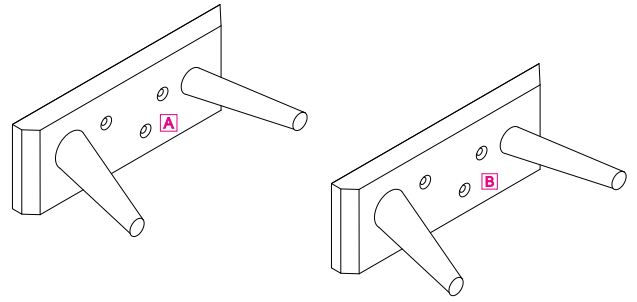
Product Code	LR2852
Dimension	26"X30"X30"
Material	Wood - Acacia Fabric - 80% Jute & 20% Cotton
Remark	

# ASSEMBLY INSTRUCTION

## PART OF PRODUCT

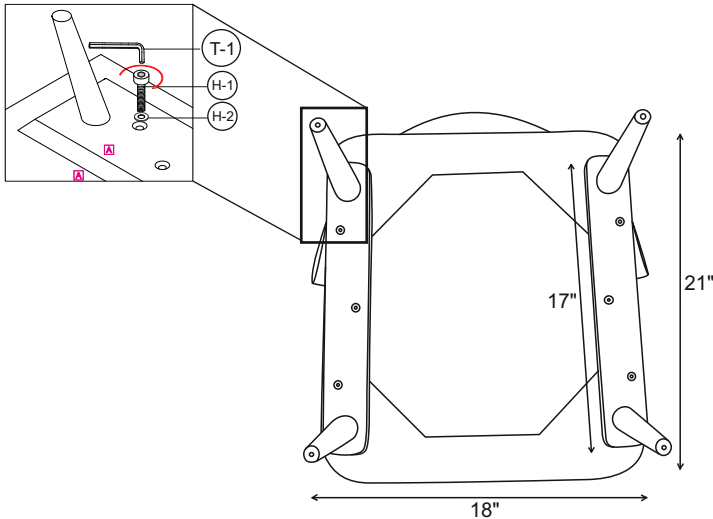


**SEAT - 1 PC.**



**WOOD LEGS - 2 PCS.**

## SIDE VIEW



**BOTTOM VIEW**

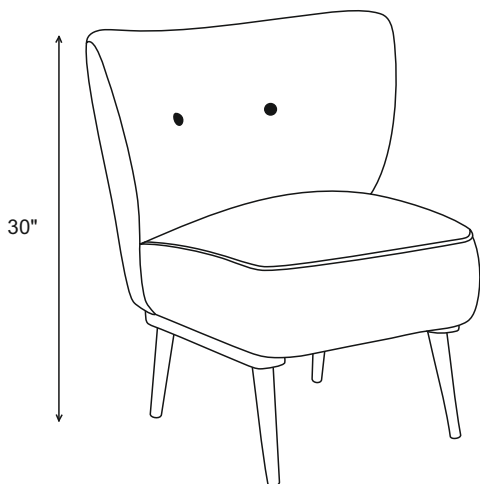
## HARDWARE

CODE	DESCRIPTION	QTY
<b>H-1</b>	BOLT	6 PCS
<b>H-2</b>	FLAT WASHER	6 PCS

## TOOL

CODE	DESCRIPTION	QTY
<b>T-1</b>	ALLEN KEY	1 PC

## ASSEMBLED PRODUCT



**FRONT VIEW**

Product Code	LR2854
Dimension	26"X30"X30"
Material	Wood - Acacia Fabric - 96% Cotton & 4% Other
Remark	